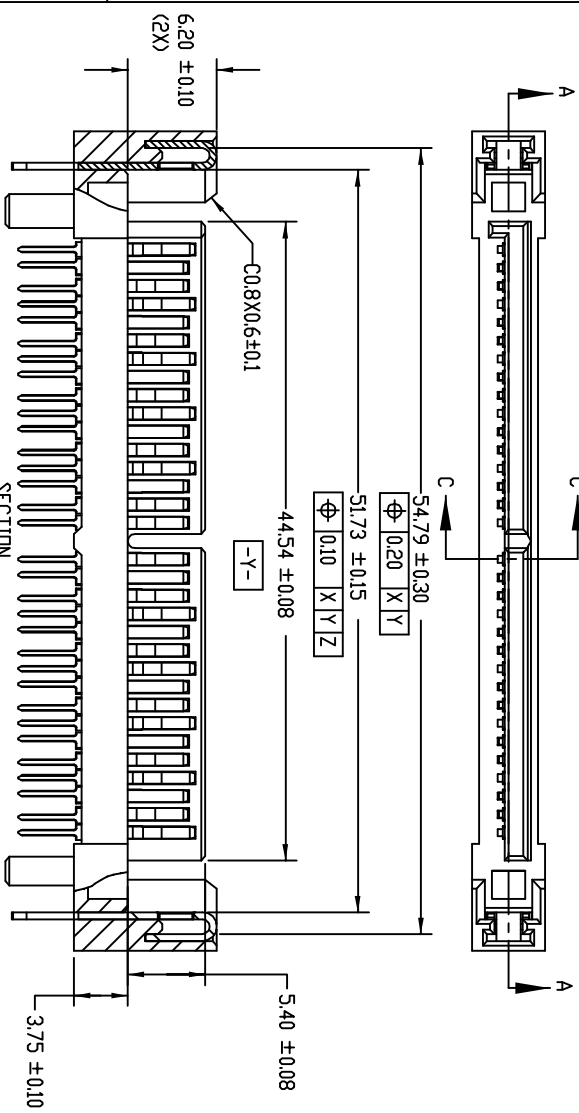
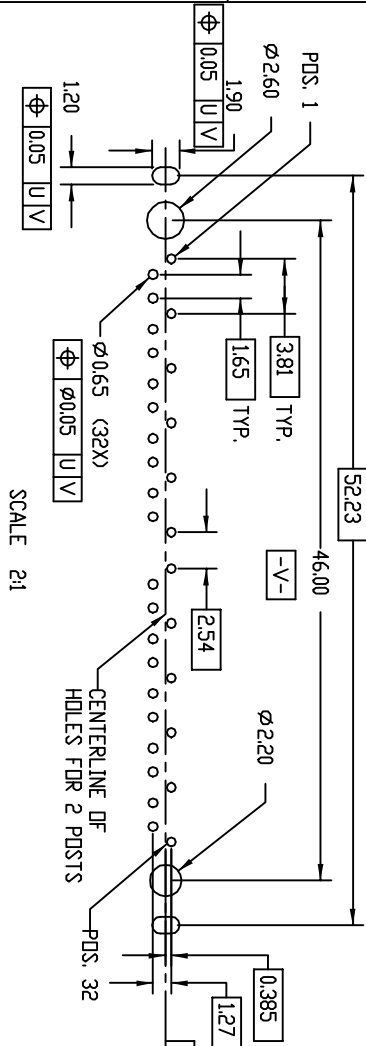
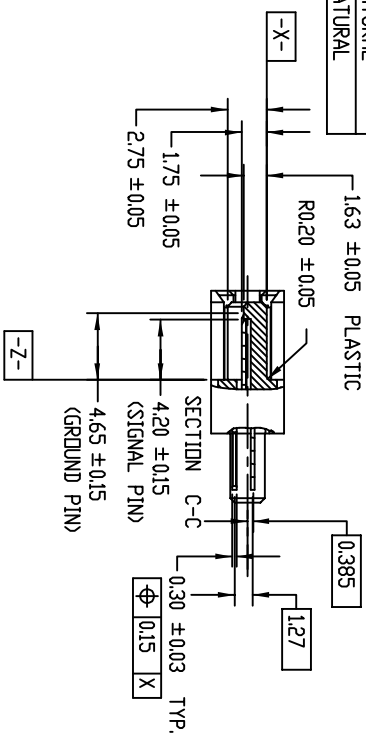


PRODUCT NDL	PCB THICKNESS	DIMENSION 'A'	DIMENSION 'B'	DIMENSION 'C'	COLOR
10044625-001LF	1.57±0.10	2.75±0.20	3.20±0.10	2.54±0.20	BLACK
10044625-002LF	3.18±0.10	4.35 +0.10/-0.20	4.80±0.10	4.06±0.20	BLACK
10044625-003LF	1.57±0.10	2.75±0.20	1.55±0.10	2.54±0.20	BLACK
10044625-004LF	2.67±0.10	4.35±0.10/-0.20	4.20±0.10	3.65±0.20	BLACK
10044625-102LF	3.18±0.10	4.35±0.10/-0.20	4.80±0.10	4.06±0.20	NATURAL
10044625-104LF	2.67±0.10	4.35±0.10/-0.20	4.20±0.10	3.65±0.20	NATURAL



SECTION A-A SCALE 2:1



SCALE 2:1

NOTES

1. MATERIAL: HOUSING: HIGH TEMPERATURE PLASTIC, UL94V-0 CONTACT: COPPER ALLOY HOLD DOWN: COPPER ALLOY
2. FINISH: 1.27µm MIN NICKEL UNDERPLATE OVERALL, 2.54µm MIN TIN (LEAD-FREE) ON SOLDER TAIL, 0.76µm MIN GOLD IN CONTACT AREA
3. THIS PRODUCT MEETS EUROPEAN UNION DIRECTIVES AND OTHER COUNTRY REGULATIONS AS DESCRIBED IN GS-22-008
4. THE HOUSING WILL WITHSTAND EXPOSURE TO 260°C PEAK TEMPERATURE FOR 10 SECONDS IN A CONVECTION INFRA-RED DR VAPOR PHASE REFLUX OVEN
5. CONTACT WIRE: 207 MIN FOR SIGNAL AND 252 MIN FOR GROUND

RECOMMENDED PCB LAYOUT
(ALL TOLERANCES ARE ±0.05)

title	4 LANE VERTICAL	Rev.	B
catalog no	TH HEADER	part no	10044625
		CUSTOMER	
		sheet	2 of 2